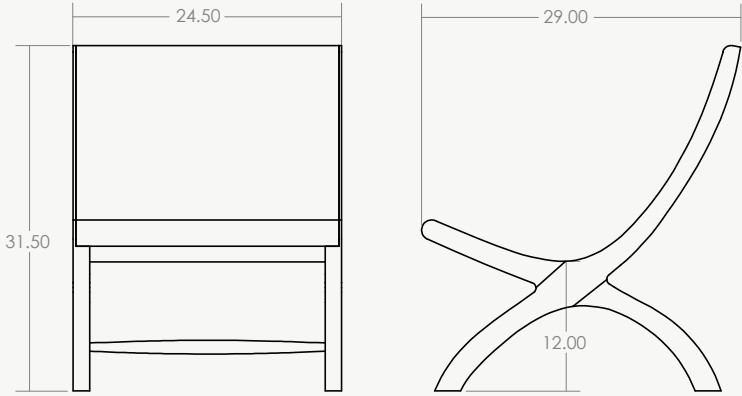


Butaque Chair

L U T E C A

Designed by
CLARA PORSET DUMAS



PRODUCTION LEAD TIME
USE
FRAME
SEAT
DIMENSIONS
SEAT HEIGHT

14 - 16 WEEKS
INDOOR
MAPLE / IROKO
TAN OR BLACK HIDE
31.5"H x 24.5"W x 29"D / 80H x 62W x 74D CM
12" / 30.5 CM

© 2022 All Rights Reserved. Exclusive worldwide license. Dimensions can vary minimally.